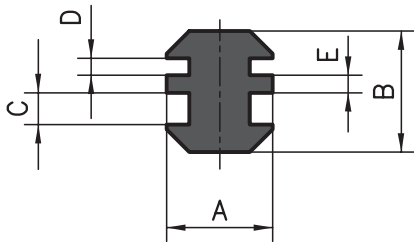
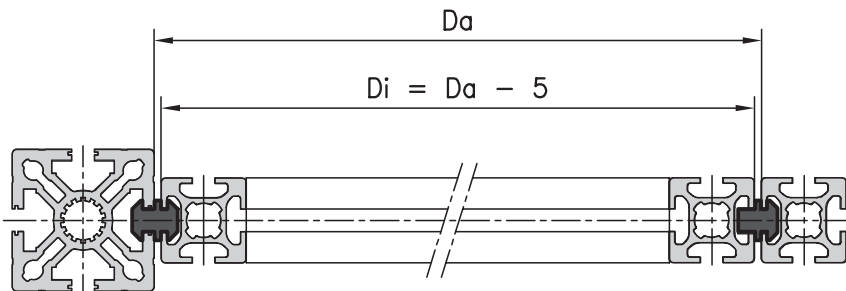


Plastic slide extrusions



Specification
 Black PE
 Sliding friction coefficient: 0,2
 Heat resistance to DIN 53461:
 -250 °C to 100 °C
 Indentation hardness to DIN 53456:
 39N/mm²



Measurement data

Extrusion base	A	B	C	D	E
50/40	21	21	4.1	4.1	2.3
50/40-30/20	14	16	4.1	2.2	2.3
30/20	14	14	2.2	2.2	2.3



Application

Ideal for any shape of slide guide, for instance for sliding doors or drawer runners. Simply push the slide extrusion into the aluminium extrusion slots – you can create a perfect, hard-wearing guide as easily as that.

Make the inner frame 5 mm smaller than the inner width of the outer frame. It is also ideal for static extrusion assemblies.

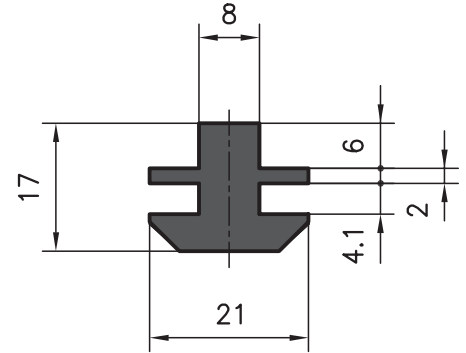
Order data

Order data	Order number
Plastic slide extrusion	Base of 50/45/40
Standard length 5000 mm	A39-00-00/5000
Cut to length	A39-00-02-02/ ...
Plastic slide extrusion	Base of 50/45/40 - 30/20
Standard length 5000 mm	AB39-00-00/5000
Cut to length	AB39-00-02-02/ ...
Plastic slide extrusion	Base of 30/20
Standard length 5000 mm	B39-00-00/5000
Cut to length	B39-00-02-02/ ...

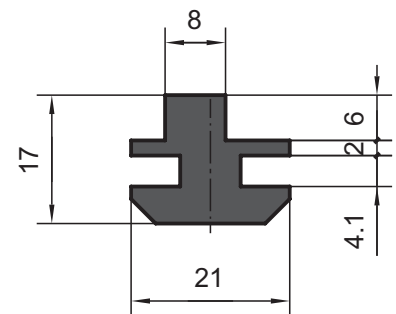
Order data

Order data	Order number
Plastic slide extrusion	Base of 50/45/40
Standard length 5000 mm	A39-05-00/5000
Cut to length	A39-05-02-02/...
with 2mm offset	
Standard length 5000 mm	A39-02-00/5000
Cut to length	A39-02-02-02/...
Plastic slide extrusion	Base of 30/20
Standard length 5000 mm	B39-05-00/5000
Cut to length	B39-05-02-02/...
with 2mm offset	
Standard length 5000 mm	B39-02-00/5000
Cut to length	B39-02-02-02/...

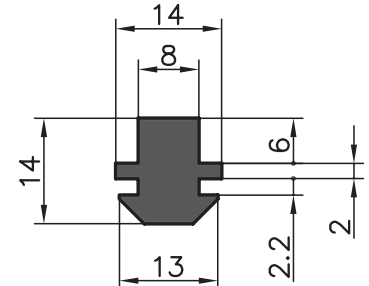
Base of 50/45/40



Base of 50/45/40 with offset



Base of 30/20



Base of 30/20 with offset

