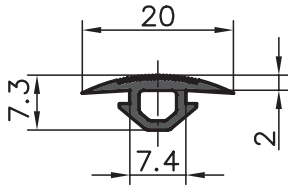


Ribbed rubber extrusion U-sealing strip

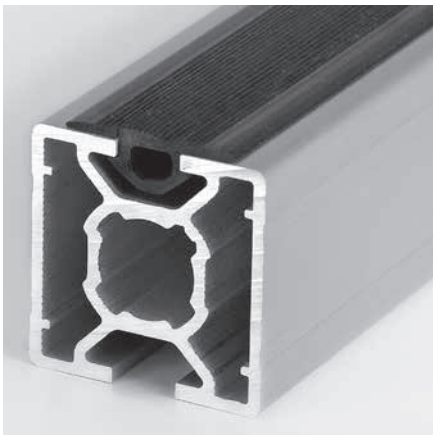


Application

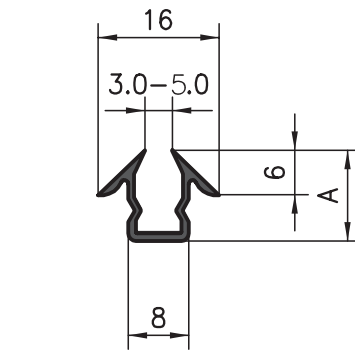
The ribbed rubber extrusion can be used to protect the surface of extrusions, as an anti-slip strip or as a seal. This extrusion can be inserted into the slot of nearly all base 50, 45, 40, 30 and 20 cross-sections.

Specification

EPDM, black
Weight: 70g/m



Order data	Order number
Ribbed rubber extrusion	
Standard length of rolls of 100 m	D39-86-00
Cut to length	D39-86-02-02/...

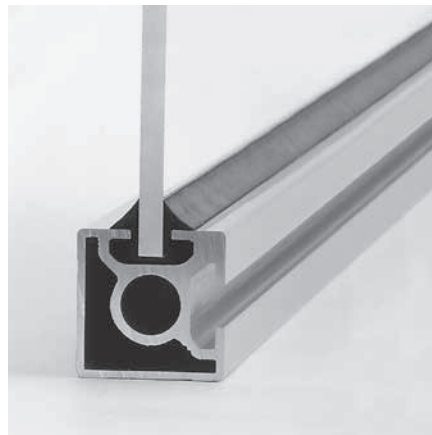


Application

This sealing strip can be inserted into the 8 mm slots on any extrusions and is suitable for panels measuring between 3 and 6 mm in thickness.

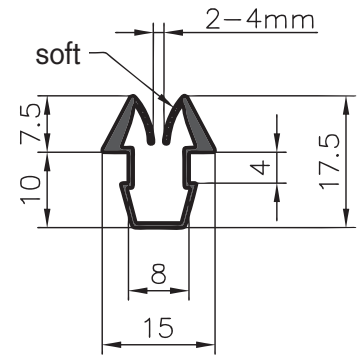
Specification

Black neoprene rubber, oil-resistant.
Installation depth for panels:
A = 12: 5 mm
A = 18: 10 mm



Order data	Order number
U-sealing strip, A = 12 mm	45/40/30 mm base
Standard length of rolls à 100 m	B39-65-00
Cut to length	B39-65-02-02/...
U-sealing strip, A = 18 mm	50/45 mm base
Standard length of rolls à 25 m	A39-65-00
Cut to length	A39-65-02-02/...

Grid extrusion



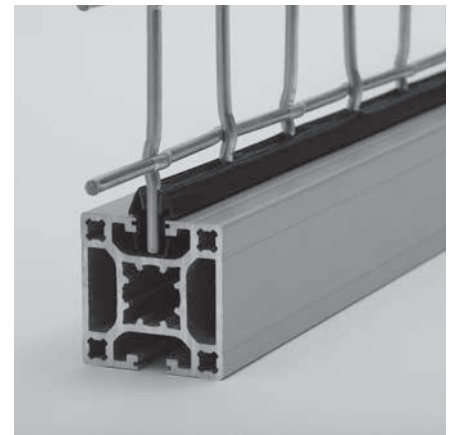
Application

Mainly used for holding steel-wire-mesh. The soft lips insulate the vibration and compensates the different thicknesses. It's qualified for panels with 2-4 mm thickness.

The grid extrusion fits into the base 50, 45 and 40.

Specification

Hard- (soft) PVC, black
Installation depth for panels: 8 mm



Order data	Order number
Grid extrusion	
Standard length 5000 mm	C39-70-00/5000
Cut to length	C39-70-02-02/...