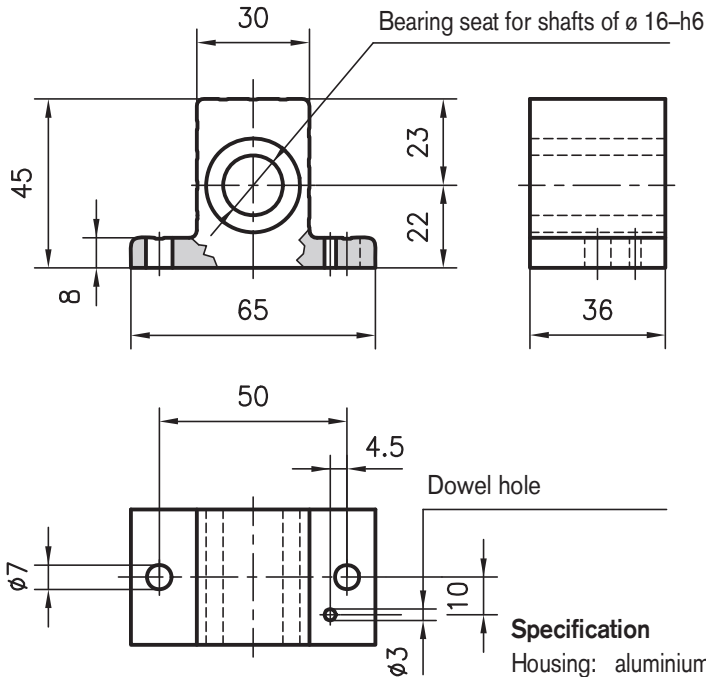


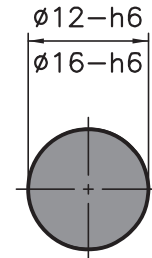
## Linear sliding block



### Specification

Housing: aluminium, anodised in natural colours  
 Linear bearing: steel, sealed on both sides, maintenance-free

## Steel shafts

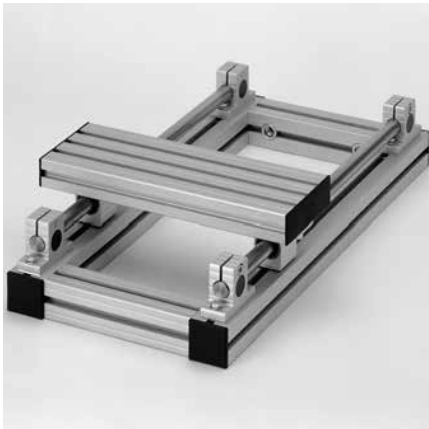


### Application

The steel shafts are used in combination with the linear sliding block and the shaft clamping blocks assembled on the appropriate extrusion framework. This serves to create high load-bearing linear guides.

### Specification

Steel, Cf 53, hardened, ground  
 Hardness: HRc 62 ± 2  
 Ø 12 0.9 Kg/m  
 Ø 16 1.5 Kg/m



### Load rating

dynamic	static
850 N	620 N

### Order data Order number

Linear sliding block	L16-68
----------------------	--------

### Order data

### Order number

Steel shaft Ø12	
Standard length 6000 mm	L12-20-01/6000
Cut to length	L12-20-02-02/...
Steel shaft Ø16	
Standard length 6000 mm	L16-20-01/6000
Cut to length	L16-20-02-02/...