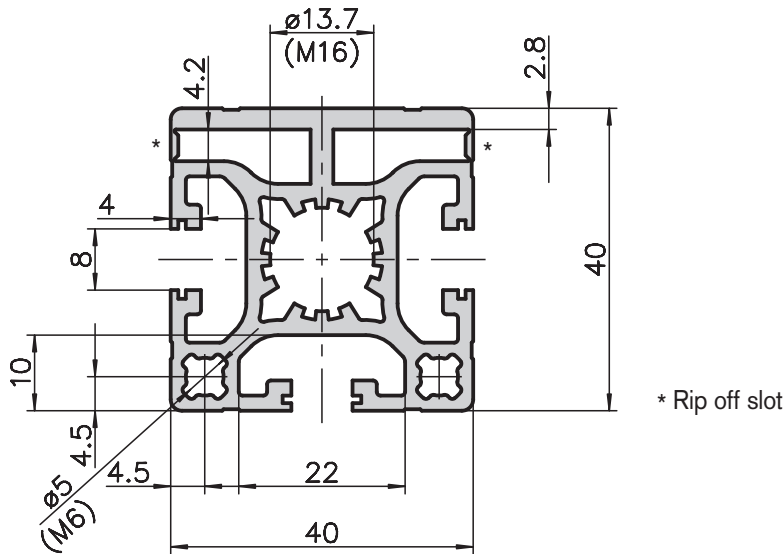
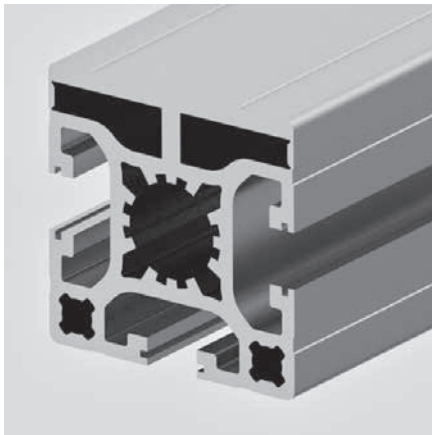
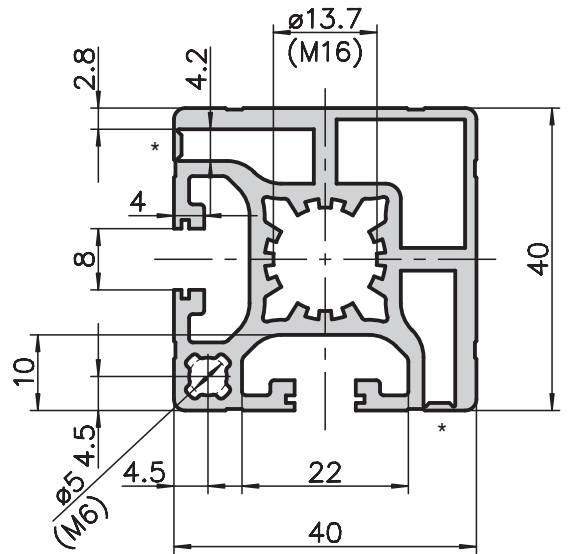


Face panel extrusion 40x40 type C02-2

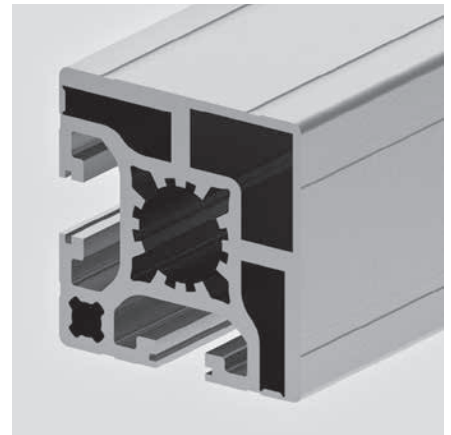


Corner panel extrusion 40x40 type C02-7



Application

Face and corner panel extrusions have rip off slots. This allows you to insert panels in the face extension. The associated surround extrusion C39-63 can be found on Page 161.



Technical data

I_x	=	9.78 cm ⁴
I_y	=	8.77 cm ⁴
W_x	=	4.59 cm ³
W_y	=	4.39 cm ³
Cross-section area	=	6.08 cm ²
Weight	=	1.64 kg/m

Order data Order number

Face panel extrusion 40x40	
Standard length 5000 mm	C02-2-00/5000
Face panel extrusion 40x40	
Cut to length	C02-2-02-02/...
Extra machining	Pages 57-61



Technical data

$I_{x,y}$	=	9.25 cm ⁴
$W_{x,y}$	=	4.58 cm ³
Cross-section area	=	5.89 cm ²
Weight	=	1.6 kg/m

Order data Order number

Corner panel extrusion 40x40	
Standard length 5000 mm	C02-7-00/5000
Corner panel extrusion 40x40	
Cut to length	C02-7-02-02/...
Extra machining	Pages 57-61