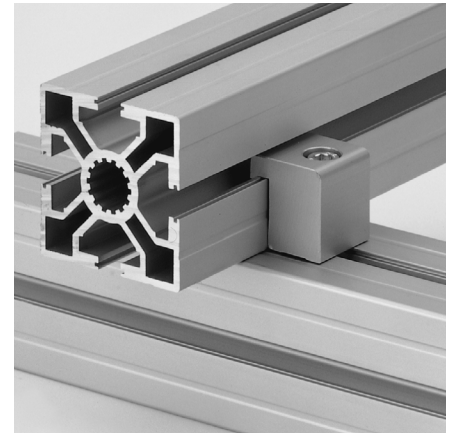
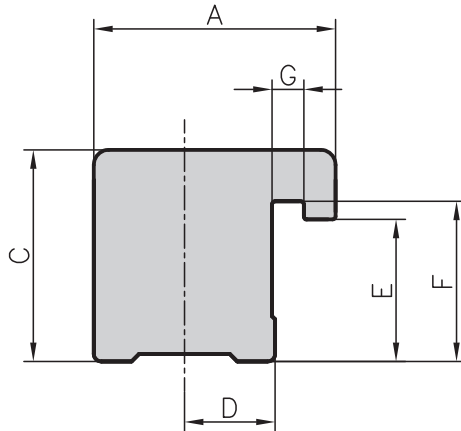


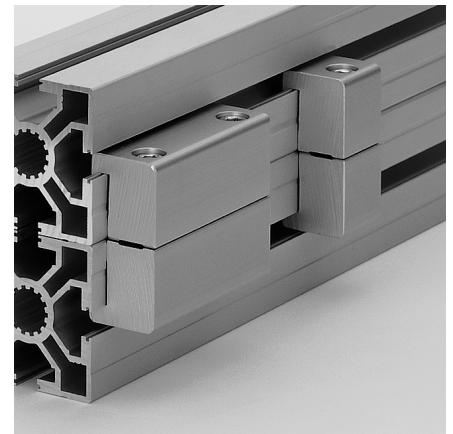
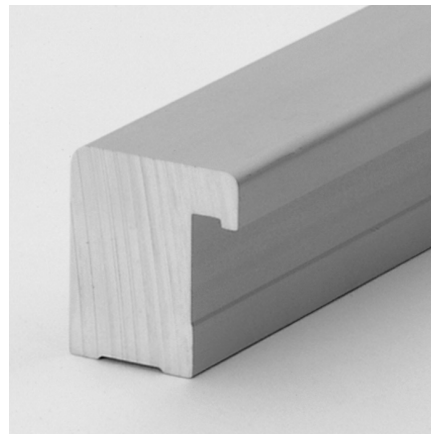
Clamping blocks



Application

To connect two extrusions of base 50, 40 and 30. A very sturdy cross or parallel connection is produced. Two clamping blocks are required to create the parallel connection.

Clamping blocks machined, see page 134



Measurement data

Type	A	C	D	E	F	G	kg/m
30	17	15	6.5	9.4	10.6	2.1	0.51
40	25	22	10	14.4	15.6	4	1.31
50	25	27	10	19.4	20.6	4	1.58

Order data

Order data	Order number
Raw block extrusion	
Base 50 extrusions	
Standard length 3000 mm	A34-0-00/3000
Cut to length	A34-0-02-02/4
Base 40 extrusions	
Standard length 3000 mm	C34-0-00/3000
Cut to length	C34-0-02-02/...
Base 30 extrusions	
Standard length 3000 mm	B34-0-00/3000
Cut to length	B34-0-02-02/...