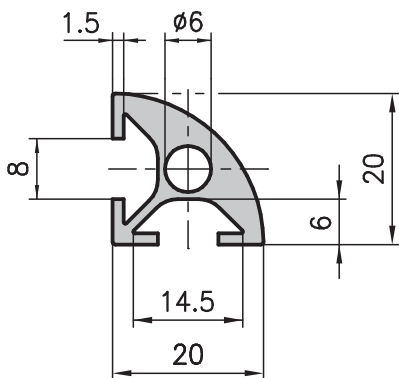
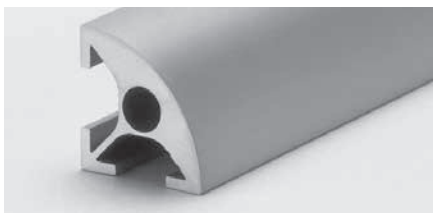


20x20 Softline extrusion type D03-8



Application

For small picture frames as well as for decorative application.



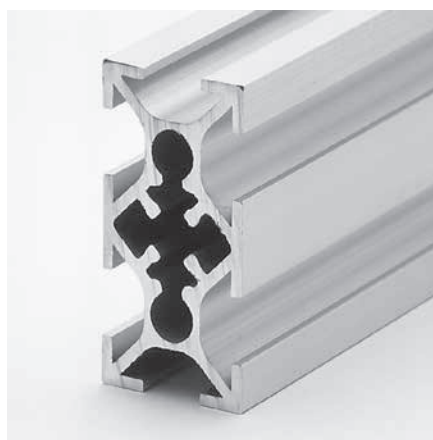
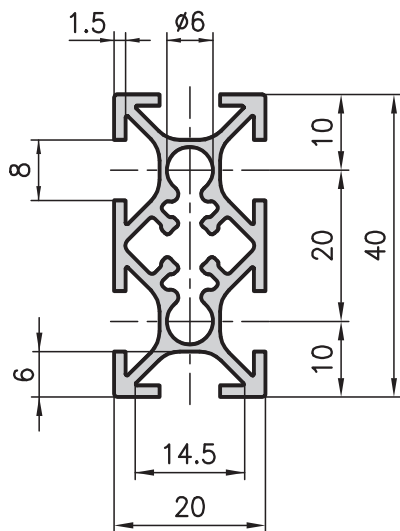
Technical data

$I_{x, y}$	=	0.47 cm ⁴
$W_{x, y}$	=	0.47 cm ³
Cross-section area	=	1.29 cm ²
Weight	=	0.35 kg/m

Order data

Order data	Order number
20x20 Softline extrusion Standard length 5000 mm	D03-8-00/5000
20x20 Softline extrusion Cut to length	D03-8-02-02/...
Extra machining	Pages 57-61

20x40 base extrusion type D01-7



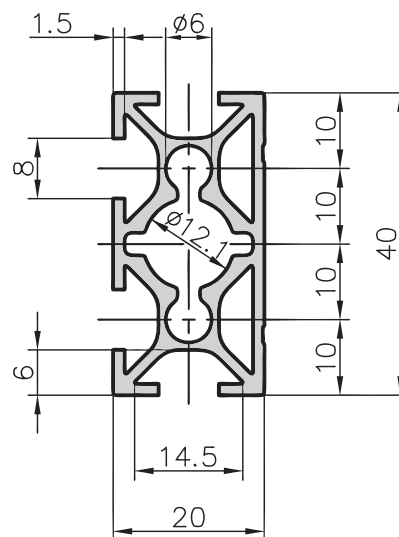
Technical data

I_x	=	3.91 cm ⁴
I_y	=	1.10 cm ⁴
W_x	=	1.95 cm ³
W_y	=	1.10 cm ³
Cross-section area	=	2.69 cm ²
Weight	=	0.73 kg/m

Order data

Order data	Order number
20x40 base extrusion Standard length 5000 mm	D01-7-00/5000
20x40 base extrusion Cut to length	D01-7-02-02/...
Extra machining	Pages 57-61

20x40 face extrusion type D02-8



Application

A multi purpose extrusion, which is easily compatible with the base 40. The center hole is Ø12.1 so that the bigger connectors can also be used, making application possibilities even more versatile.

Technical data

I_x	=	4.15 cm ⁴
I_y	=	1.26 cm ⁴
W_x	=	2.07 cm ³
W_y	=	1.18 cm ³
Cross-section area	=	2.79 cm ²
Weight	=	0.75 kg/m

Order data

Order data	Order number
20x40 face extrusion Standard length 5000 mm	D02-8-00/5000
20x40 face extrusion Cut to length	D02-8-02-02/...
Extra machining	Pages 57-61