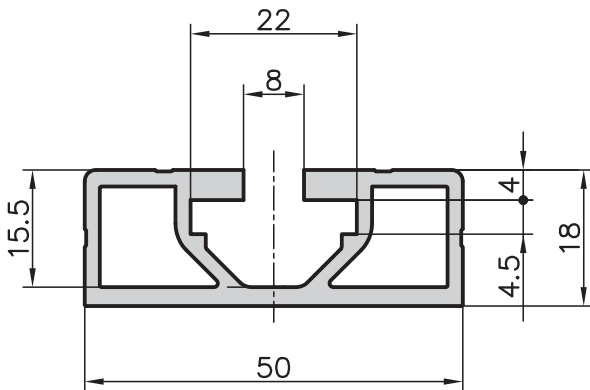


Wall rail 18x50 type A19-9



Application

This is a very slim extrusion. When screwed to walls, it provides an easy method of fixing adjustable shelves.



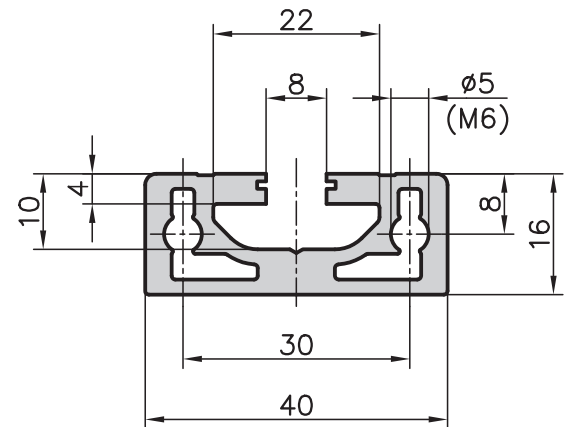
Technical data

Cross-section area	=	3.47 cm ²
Weight	=	0.9 kg/m

Order data

Order data	Order number
Wall rail 18x50	
Standard length 5000 mm	A19-9-00/5000
Wall rail 18x50	
Cut to length	A19-9-02-02/...

Slot extrusion 16x40 type C08-1



Application

A robust rail with the slot geometry of the 40 base. The slot base is solid in order to accommodate the thread holes. When fixed to walls with dowels, height adjustable shelves can be very easily attached to this extrusion rail.



Technical data

Cross-section area	=	3.55 cm ²
Weight	=	1.0 kg/m

Order data

Order data	Order number
Slot extrusion 16x40	
Standard length 5000 mm	C08-1-00/5000
Slot extrusion 16x40	
Cut to length	C08-1-02-02/...