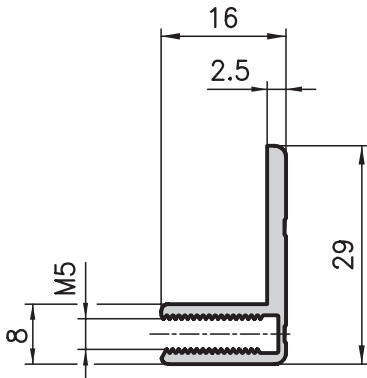
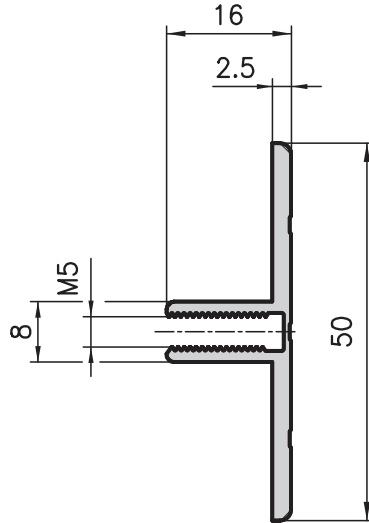


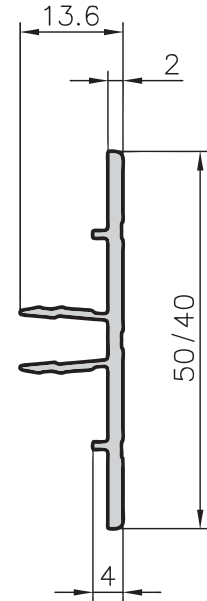
### 16x29 clamping extrusion type A05-6



### 16x50 double clamping extrusion type A05-7

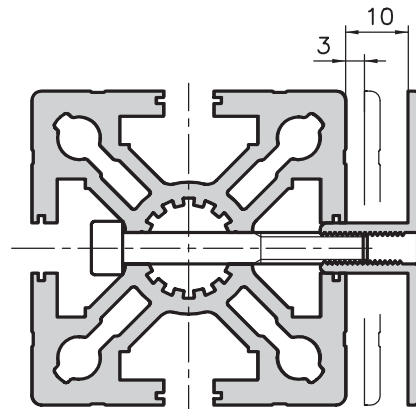


### Panel clamp extrusions type A05-8/C05-8



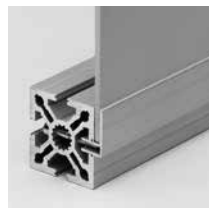
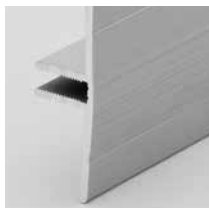
#### Application

Two ingenious extrusions to clamp panels of all kinds. They can be added to any existing 8 mm slots on extrusions base 40, 45 or 50 mm. Panels can be inserted or replaced easily, on one or two of the sides, without any need to dismantle the supporting structure!



#### Application

Similar to the clamping extrusion but with the additional benefit, that this extrusion can be clipped in. Ideal for ALUCOBOND- and DIBOND- panels or other sheets with a thickness of 2mm and respectively 4 mm (2 snap-in positions for clamping!)



Technical data	
Cross-section area	= 1.18 cm <sup>2</sup>
Weight	= 0.32 kg/m

Order data	Order number
16x29 clamping extrusion	
Standard length 5000 mm	A05-6-00/5000
16x29 clamping extrusion	
Cut to length	A05-6-02-02/...

Technical data	
Cross-section area	= 1.70 cm <sup>2</sup>
Weight	= 0.46 kg/m

Order data	Order number
16x50 double clamping extrusion	
Standard length 5000 mm	A05-7-00/5000
16x50 double clamping extrusion	
Cut to length	A05-7-02-02/...

Technical data	
Cross-section area	= 1.26 cm <sup>2</sup>
Weight	= 0.34 kg/m

Order data	Order number
13.5x50 panel clamp extrusion	
Standard length 6000 mm	A05-8-00/6000
13.5x50 panel clamp extrusion	
Cut to length	A05-8-02-02/...
13.6x40 panel clamp extrusion	
Standard length 6000 mm	C05-8-00/6000
13.6x40 panel clamp extrusion	
Cut to length	C05-8-02-02/...