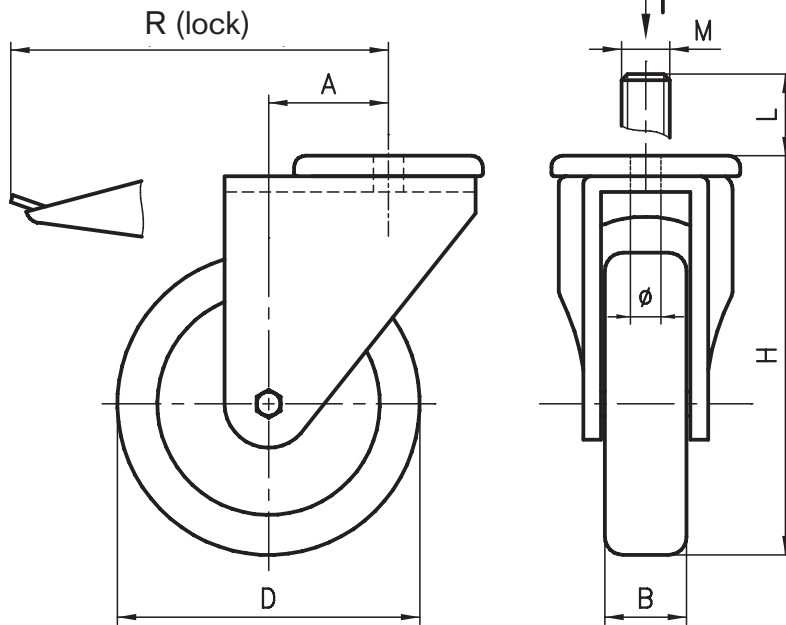
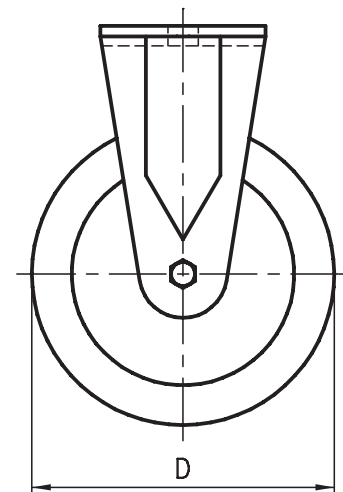


## Castors



## Non-swivel castors



### Application

Can be used in any application where mobility is required. There are four diameters of wheels available (with or without locks) depending on the load capacity required. Swivel and non-swivel castors have the same load capacity. (F) The castors can be simply attached to the extrusions either with an M10 bolt or by means of an M16 / 14x25 threaded stud. range of application -17° to +60°C

### Specification

Fork : Zinc-coated steel,  
Ball bearing  
Wheel: Rubber tyre 87° Shore,  
Ball bearing  
with «fender» made of POM light gray



Order data	Order number								
	D	B	H	A	R	Ø / MxL	F	no lock	with lock
Castor	50	18	69	24	72	Ø 10.3	400 N	B48-50	B49-50
Castor	50	18	69	24	72	M14x25	400 N	B48-54	B49-54
Castor	75	25	100	24	85	Ø 10.3	700 N	B48-75	B49-75
Castor	75	25	100	24	85	M14x25	700 N	B48-74	B49-74
Castor	100	32	135	44	118	Ø 10.3	800 N	B48-100	B49-100
Castor	100	32	135	44	118	M16x25	800 N	A48-100	A49-100
Castor	100	37	124	36	118	Ø 10.3	1200 N	B48-101	B49-101
Castor	100	37	124	36	118	M16x25	1200 N	A48-101*	A49-101*
Castor	125	32	160	40	118	Ø 10.3	1000 N	B48-125	B49-125
Castor	125	32	160	40	118	M16x25	1000 N	A48-125	A49-125

Order data	Order number				
	D	B	H	Ø / MxL	
Non-swivel castors	75	22	97	Ø 10.3	B48-77
Non-swivel castors	75	22	97	M14x25	B48-78
Non-swivel castors	100	25	132	Ø 10.3	B48-107
Non-swivel castors	100	25	132	M16x25	A48-108
Non-swivel castors	125	32	158	Ø 10.3	B48-127
Non-swivel castors	125	32	158	M16x25	A48-128

For load of >800N we recommend castors with PO-wheels.

\* PO wheels

Castors with PO-Wheels and other sizes, heavy duty and anti-static castors are available on request.