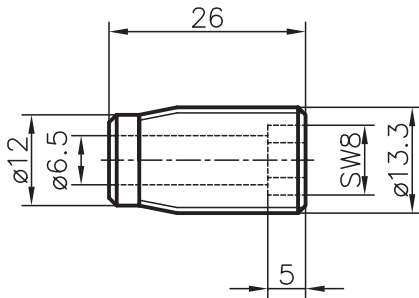
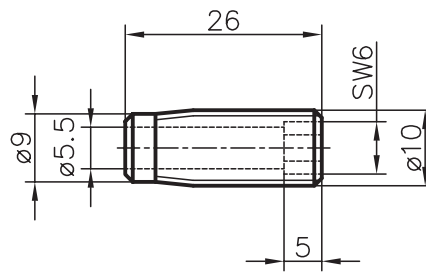


## PVS direct connectors

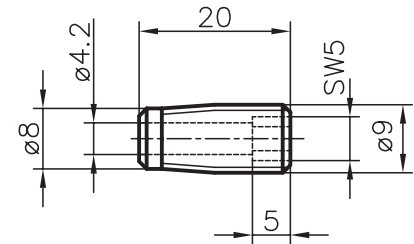
**Base 50**



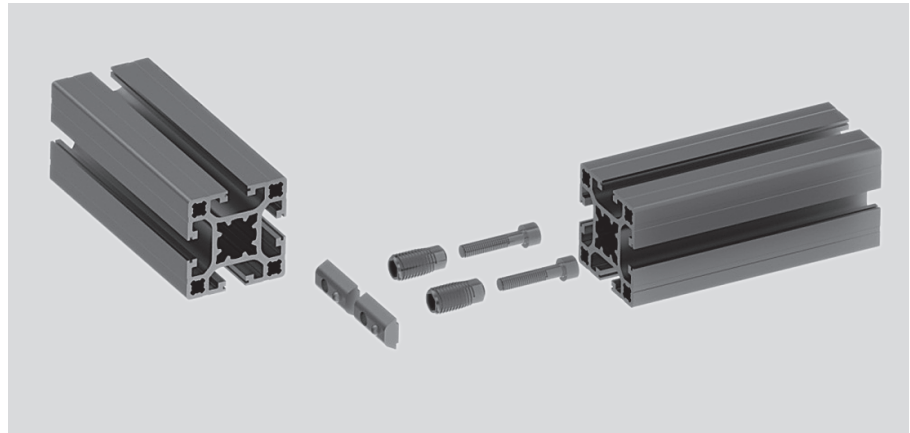
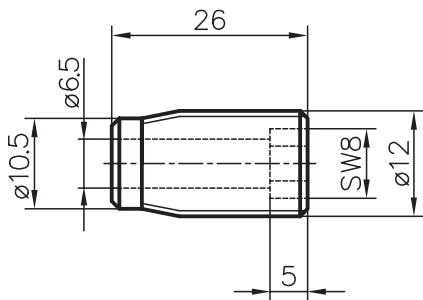
**Base 40**



**Base 30**

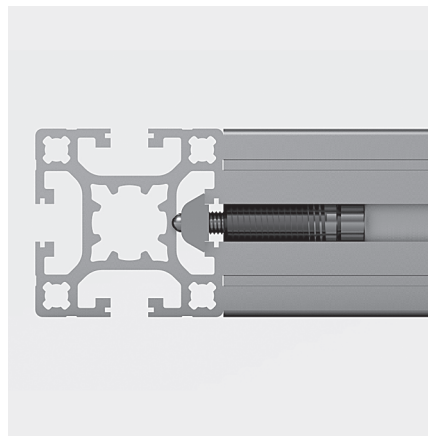


**Base 45**



### Application

The extrusion does not need to be machined for this connection. This self-cutting threaded sleeve has a shank for an Allen key which is simply used to screw it into the longitudinal slot. The screw is mounted into the threaded sleeve in advance, thereby connecting the extrusion to the extrusion nuts in the counter extrusion. These can be installed afterwards. This stable connection, assembly is slightly more complex than with the PVS standard connector. The prerequisite for this connection is access on both sides to the slots.



Raccord intégré



Douille taraudée

### Note

The side slots are blocked by the connection. Panels would therefore have to be machined the site of the fasteners.

### Parts supplied

- 2 screws
- 2 threaded sleeves
- 2 light extrusion nuts

Order data	Order number
Base 50	A33-90
Basis 45	E33-90
Basis 40	C33-90
Basis 30	B33-90