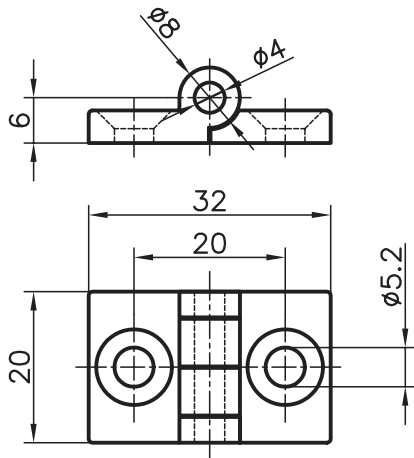


Plastic hinge Base 20 fixed



Application

For smart work structures which are set up on Base 20, these hinges are a compact solution. With an axial dimension of 20mm, there are no gaps between the extrusions.

Specification

PA-GF, black

Pin: zinc-coated steel

Fixing kit*

Screws and threaded plates

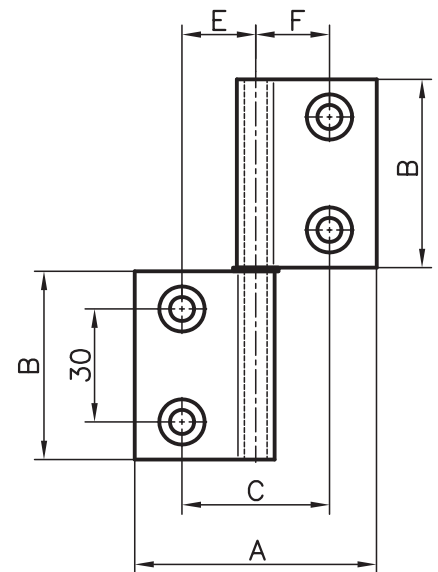
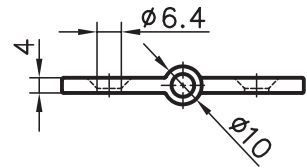
Order data	Order number
------------	--------------

Base 20	D60-00-PA*
---------	------------

* Item number for fixing kit:
add -S to the order number
Example: A60-28-S



Aluminium flat hinge



Application

The flat band hinges are mounted in a concealed position. When the doors are closed, only the hinge is visible. This provides an attractive design for swing doors. It also has the advantage that when the door is closed, the flat band hinge cannot be

removed. This is important when considering the safety aspects.

Specification

Anodised aluminium

Pin: Stainless steel

Measurement data						Order number
Base	A	B	C	E	F	
50	84	50	60	30	30	A60-29*
45	84	50	55	27.5	27.5	E60-29*
40	84	50	50	25	25	C60-29*
30	64	50	40	20	20	B60-29*
50/45	84	50	57	29.5	27.5	AE6-29*
50/40	84	50	55	30	25	AC6-29*
45/40	84	50	52.5	27.5	25	EC6-29*
45/30	74	50	47.5	27.5	20	EB6-29*
40/30	74	50	45	25	20	CB6-29*
50/30	84	50	50	30	20	AB6-29*